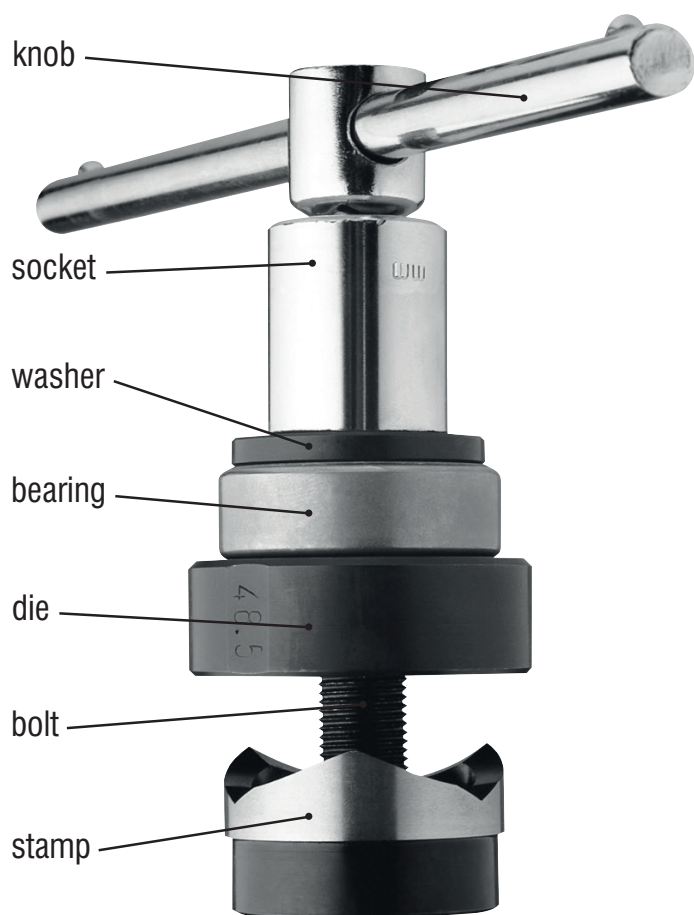


## WO K Complete hand punch



Set consists of:

- knob
- socket (S17 or S24 depending on the diameter of the punch)
- washer (P10 or P16 depending on the diameter of the punch)
- bearing
- bolt (M10 or M16 depending on the diameter of the punch)
- graphite grease
- WO punch – chart above (page 66)
- metal case

**NOTE:** bolt requires greasing. Greasing and cleaning tools significantly prolongs its durability.



Type	Initial hole Ø [mm]	Bolt/ Pin	Washer	Socket	PG	Metric thread	PE	NPT
WO 16,2	10,5	M8	P10	S17		M16		
WO 18,6					11			
WO 20,4					13			
WO 22,5					16			
WO 25,4						M25		
WO 28,5					21		25	
WO 32,5						M32		
WO 37,0					29		34	
WO 40,5	16,5	M16	P16	S24		M40		
WO 42,2						NPT 1 1/4		
WO 47,0					36			
WO 50,5						M50		
WO 54,0					42			
WO 60,0					48			