

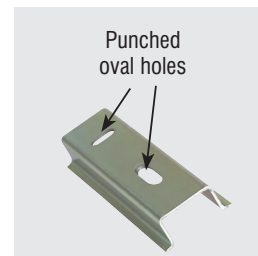
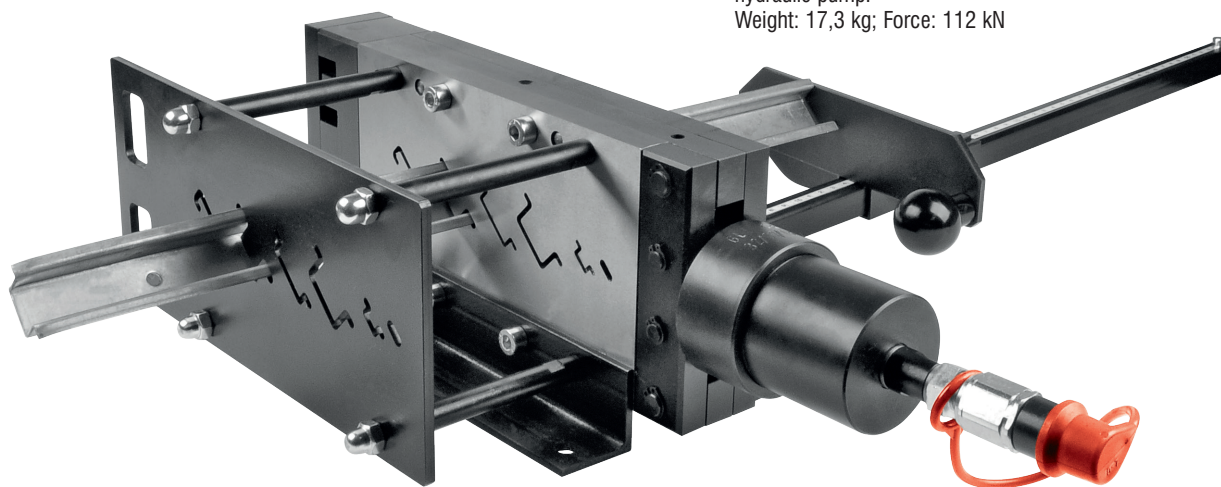
GL 6 Hydraulic mounting rail cutter

Hydraulic cutter for mounting rails and for longitudinal and transverse oval holes punching:

- easy cutting without deformation or burr
- profiles according to order – see chart below
- hole punching (6,4 x 12,4 mm) for M6 screws in TS35 rails

Works with AH 100, AH 500, AH 550, AH 500L hydraulic units and H 800 hydraulic pump.

Weight: 17,3 kg; Force: 112 kN



MOUNTING RAILS PROFILES

Profile	Shape	Rail type	Made according to standard
P1		TS 35	PN-EN 60715:2007
P2		TS 35C	PN-EN 60715:2007
P3		TS 15	PN-EN 60715:2007
P4		TS 32	PN-EN 60715:2007
P5		TS 35C1	PN-EN 60715:2007
		Other thin-walled profiles: steel, Al, Cu – as agreed	